

Stock Code: **63112LEDD-IGLD**

Collection: Vortex

PRODUCT INFORMATION

Base: 63112 Parent: 63112LEDD
Mounting Type: Ceiling UPC: 641594225211
Finish: Inspired Gold
Diffuser: N/A

PRODUCT MEASUREMENTS

FIXTURE	BACKPLATE / CANOPY
Length:	Length
Width:	Width:
Diameter 33.25"	Diameter: 6"
Height: 14.75"	Height: 1.5"
Extension:	
Overall Height: 17-59"	

TECHNICAL SPECIFICATIONS

SPECIFICATIONS

Frame Material: Aluminum
Diffuser Material: Acrylic
Lamping Type: SSL (Dedicated LED) Jbox: Standard
Lamping Base: SSL Lamp Wattage: 7 W
Lamp Quantity: 8 Total Wattage: 56 W
Voltage: 120v Lamps Included: Yes

QUALIFICATIONS

Location Rating Dry
Certification: ETL (US/Canada) Listed
ADA Compliant No Energy Star: No
JA8 Compliant: No Emergency Lighting: No
Marine Grade: No Warranty: 5 Year

PHOTOMETRICS

Dimmable: Yes Nominal Lumens 4760 Lm
CRI: 85 Delivered Lumens: N/A
CCT: 3000K
Recommended Dimmers:
(TRIAC)LEVITON illumatech IPI06; (TRIAC)LEVITON Decora
Sureslide 6674; (ELV)LUTRON Maestro MAELV-600;
(ELV)LUTRON Skylark SELV-300P; (ELV)LUTRON Diva DVELV-300P

Additional Notes:

6, 16, and 22-inch down rods included; Sloped ceiling adapter included

Project Name: _____

Location: _____

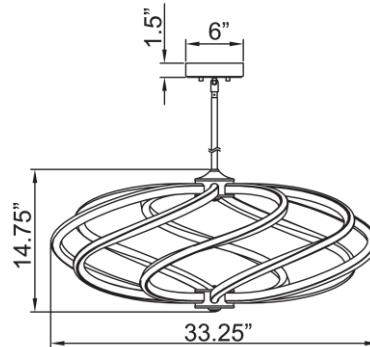
Type: _____

Quantity: _____

Notes: _____



LINE DRAWING



IES FILE

In addition to Access Lighting's purchase and warranty terms and conditions, by signing below or placing an order, you agree that you are authorized to bind the entity placing any order and acknowledge the following: All of sizes and measurements are approximate and all images are for illustrative purposes only. In the event of an inconsistency, the "Product Measurements" section controls. There also may be slight differences in the colors and designs compared to the displayed and printed images.

Signature: _____

Print Name _____ Date: _____

Toll Free 800-828-5483 www.AccessLighting.com

14410 Myford Road, Irvine, CA 92606

The information is subject to change without notice. 9/23/2022 63112LEDD-IGLD.pdf

